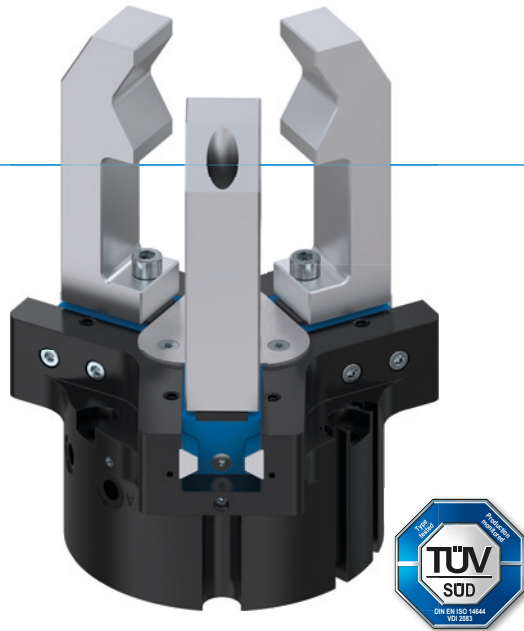


3-JAW CONCENTRIC GRIPPERS

SERIES GPD5000

▶ PRODUCT ADVANTAGES



“The best”

▶ Steel Linear Guide –

The superior guidance system concept

The steel / steel guide stands for lasting precision, durability and a long service life—featuring maintenance intervals of up to 30 million gripping cycles. Benefit from these features and increase the profitability and process reliability of your machine.

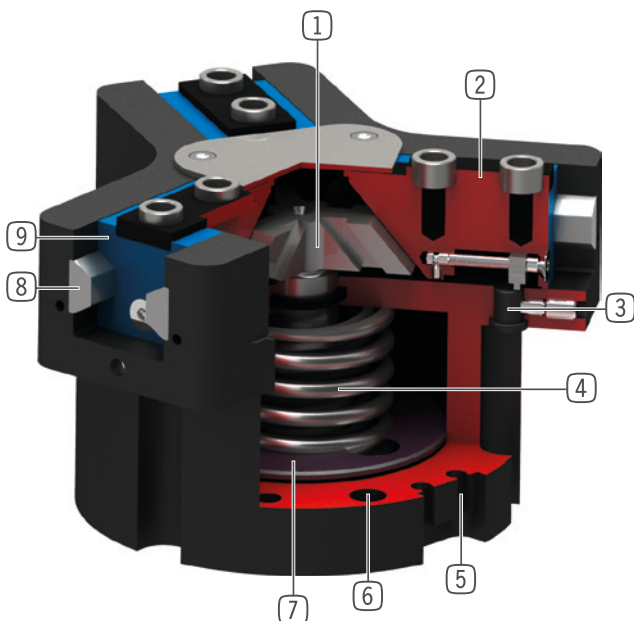
▶ Leakproof and corrosion protected – The universal gripper

Suitable for virtually all ambient conditions, with a sealed guide up to IP67 and corrosion protection as standard, you are able to use this gripper universally. As a result, the range of models in your production is reduced, along with a reduction in associated storage and process costs.

▶ Aluminum Linear Guide – The alternative

Reduced to those aspects which are the most important, the steel / aluminum guide variant offers significantly better performance when compared to a similar gripper with a T-groove travel guide, and is on par with the best principles of toothed guidance systems.

▶ BENEFITS IN DETAIL



① Wedge hook mechanism

- high forces and moments capacity
- Synchronized gripper jaw movement

② Gripper jaw

- Gripper fingers mounted using removable centering sleeves
- Lubricated for life via incorporated lubrication slots

③ Mounting block

- mounting for inductive proximity switch

④ Integrated gripping force safety device

- Spring built into cylinder chamber as an energy store

⑤ Sensing slot

- mounting and positioning of magnetic field sensors

⑥ Mounting and positioning

- Alternatively, on several sides for customized mounting
- Pneumatic and electrical versions identical apart from height

⑦ Drive

- Double-acting pneumatic rotor cylinder

⑧ Steel Linear Guide

- Steel in steel guide
- Enables use of extremely long gripper fingers
- Also available in steel / aluminum variant

⑨ Dual lip seal

- IP64 and up to IP67 (with purged air) for Protector version
- Prevents grease from being squeezed out, increasing service life



► SERIES CHARACTERISTICS

Installation size		Variants				
GPD50XX		-00	-20	-21	-24	-AL
N	Long stroke	●	●	●	●	●
NC	Long stroke / Spring closing	●	●	●	●	●
NO	Long stroke / Spring opening	●	●	●	●	●
S	High-strength	●	●	●	●	
SC	High-strength / Spring closing	●	●	●	●	
SO	High-strength / Spring opening	●	●	●	●	
	Steel Linear Guide	●	●	●	●	
	Aluminum Linear Guide					●
	15 million maintenance-free cycles (max.)					●
	30 million maintenance-free cycles (max.)	●	●	●	●	
	Inductive sensor	●	●	●	●	
	Magnetic field sensor	●	●	●	●	●
	Protected against corrosion	●	●	●	●	
	Purged air	●	●	●	●	●
	Temperature-resistant		●		●	
	Cleanroom-certified	●		●		●
	IP40					●
	IP64	●	●			
	IP67*			●	●	

*with purged air (max. 0,5 bar)

► TECHNICAL DATA

Installation size	Stroke per jaw	Gripping force	Weight	IP class
	[mm]	[N]	[kg]	
GPD5003	2,5	310 - 465	0,14 - 0,22	IP40 / IP64 / IP67*
GPD5004	2 - 4	460 - 1520	0,27 - 0,41	IP40 / IP64 / IP67*
GPD5006	3 - 6	740 - 2370	0,48 - 0,58	IP40 / IP64 / IP67*
GPD5008	4 - 8	1260 - 3910	0,83 - 1	IP40 / IP64 / IP67*
GPD5010	5 - 10	2290 - 7160	1,45 - 1,9	IP40 / IP64 / IP67*
GPD5013	6 - 13	3770 - 11450	2,6 - 3,7	IP64 / IP67*
GPD5016	8 - 16	6870 - 20330	5,7 - 7,5	IP64 / IP67*
GPD5025	14 - 25	8430 - 22850	11,8 - 15,4	IP64 / IP67*
GPD5030	17 - 30	12130 - 32400	21 - 27,5	IP64 / IP67*
GPD5035	20 - 35	16600 - 45200	37,8 - 42	IP64 / IP67*
GPD5045	26 - 45	27900 - 72500	78,6 - 99,9	IP64 / IP67*

*with purged air (max. 0,5 bar)

3-JAW CONCENTRIC GRIPPERS

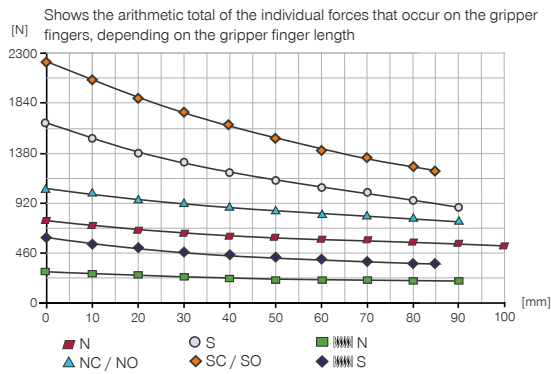
INSTALLATION SIZE GPD5006

▶ PRODUCT SPECIFICATIONS

-00-A / -20-A / -21-A / -24-A

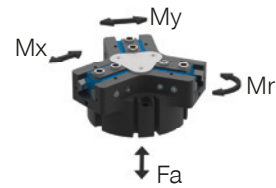
Steel / steel guide

▶ Gripping force diagram



▶ Forces and moments

Displays static forces and moments that can also have an effect, besides the gripping force.

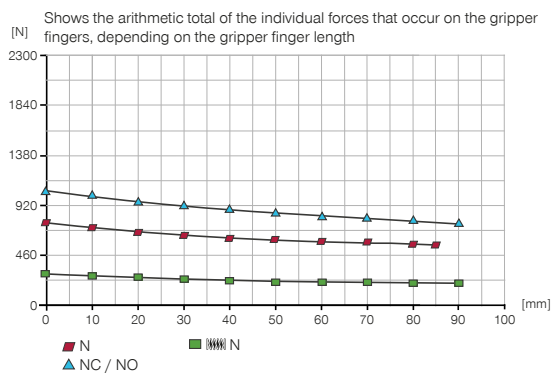


Mr [Nm]	43
Mx [Nm]	70
My [Nm]	46
Fa [N]	1250

-AL-A

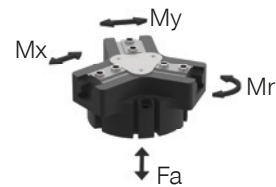
Steel / aluminum guide

▶ Gripping force diagram



▶ Forces and moments

Displays static forces and moments that can also have an effect, besides the gripping force.



Mr [Nm]	40
Mx [Nm]	60
My [Nm]	45
Fa [N]	1200

▶ VARIANTS

-00-A / -20-A

Steel / steel guide

-21-A / -24-A

Steel / steel guide

-AL-A

Steel / aluminum guide



► TECHNICAL DATA

Order no.	► Technical data					
	GPD5006N-00-A	GPD5006NC-00-A	GPD5006NO-00-A	GPD5006S-00-A	GPD5006SC-00-A	GPD5006SO-00-A
Stroke per jaw [mm]	6	6	6	3	3	3
Gripping force in closing [N]	740	1020		1620	2240	
Gripping force in opening [N]	800		1080	1750		2370
Gripping force secured by spring min. [N]		280	280		620	620
Closing time [s]	0.028	0.018	0.038	0.028	0.018	0.038
Opening time [s]	0.028	0.038	0.018	0.028	0.038	0.018
Dead weight of mounted gripper finger max. [kg]	0.4	0.4	0.4	0.4	0.4	0.4
Length of the gripper fingers max. [mm]	100	90	90	90	85	85
Repetition accuracy +/- [mm]	0.01	0.01	0.01	0.01	0.01	0.01
Operating pressure min. [bar]	3	4	4	3	4	4
Operating pressure max. [bar]	8	7	7	8	7	7
Nominal operating pressure [bar]	6	6	6	6	6	6
Operating temperature [°C]	-10 ... +90	-10 ... +90	-10 ... +90	-10 ... +90	-10 ... +90	-10 ... +90
Air volume per cycle [cm ³]	22	43	43	22	43	43
Clean room applications according to DIN EN ISO 14644-1	6	6	6	6	6	6
Protection to IEC 60529	IP64	IP64	IP64	IP64	IP64	IP64
Weight [kg]	0.47	0.58	0.57	0.49	0.59	0.58

Order no.	► Technical Data - High Temperature Version					
	GPD5006N-20-A	GPD5006NC-20-A	GPD5006NO-20-A	GPD5006S-20-A	GPD5006SC-20-A	GPD5006SO-20-A
Operating temperature [°C]	-10 ... +130	-10 ... +130	-10 ... +130	-10 ... +130	-10 ... +130	-10 ... +130

Order no.	► Technical Data - Protector Version					
	GPD5006N-21-A	GPD5006NC-21-A	GPD5006NO-21-A	GPD5006S-21-A	GPD5006SC-21-A	GPD5006SO-21-A
Clean room applications according to DIN EN ISO 14644-1	6	6	6	6	6	6
Protection to IEC 60529	IP67*	IP67*	IP67*	IP67*	IP67*	IP67*
Weight [kg]	0.59	0.7	0.69	0.61	0.71	0.71

Order no.	► Technical Data - High Temperature Protector Version					
	GPD5006N-24-A	GPD5006NC-24-A	GPD5006NO-24-A	GPD5006S-24-A	GPD5006SC-24-A	GPD5006SO-24-A
Operating temperature [°C]	-10 ... +130	-10 ... +130	-10 ... +130	-10 ... +130	-10 ... +130	-10 ... +130
Protection to IEC 60529	IP67*	IP67*	IP67*	IP67*	IP67*	IP67*
Weight [kg]	0.59	0.7	0.69	0.61	0.71	0.71

*with purged air (max. 0,5 bar)

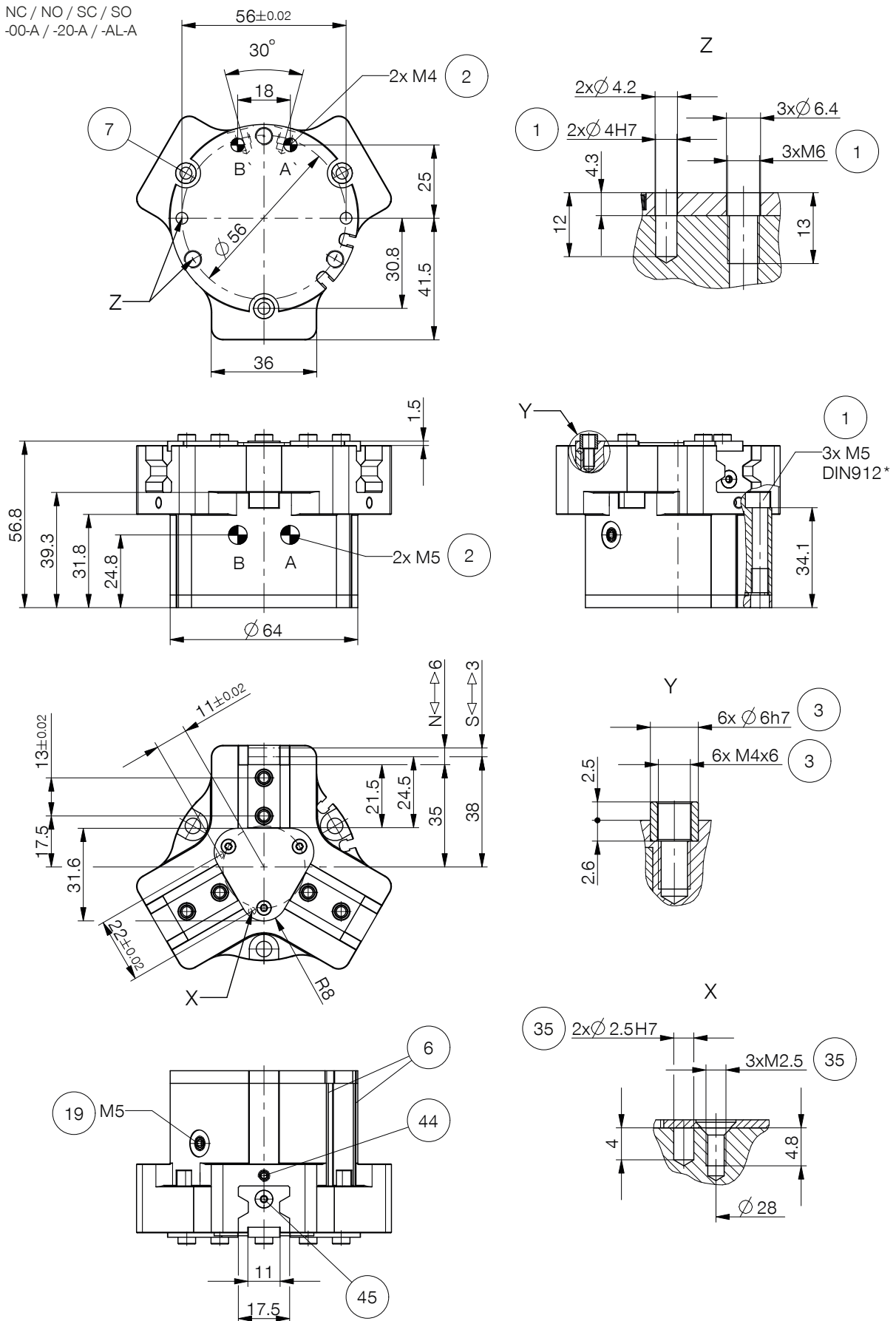
Order no.	► Technical data		
	GPD5006N-AL-A	GPD5006NC-AL-A	GPD5006NO-AL-A
Dead weight of mounted gripper finger max. [kg]	0.35	0.35	0.35
Length of the gripper fingers max. [mm]	90	85	85
Clean room applications according to DIN EN ISO 14644-1	4	4	4
Protection to IEC 60529	IP40	IP40	IP40
Protected against corrosion	No	No	No
Weight [kg]	0.47	0.57	0.56

3-JAW CONCENTRIC GRIPPERS

INSTALLATION SIZE GPD5006

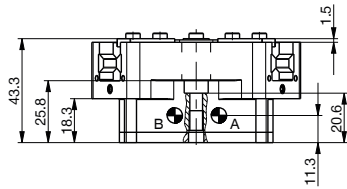
TECHNICAL DRAWINGS

NC / NO / SC / SO
-00-A / -20-A / -AL-A

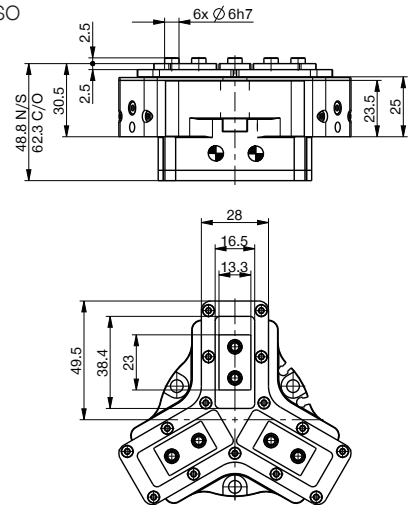


▶ TECHNICAL DRAWINGS

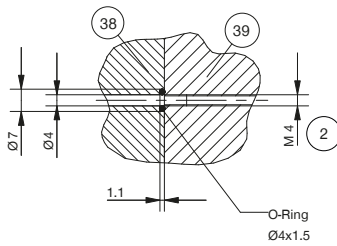
N / S
-00-A / -20-A / -AL-A



N / NC / NO / S / SC / SO
-21-A / -24-A



Hoseless air feed-through M4



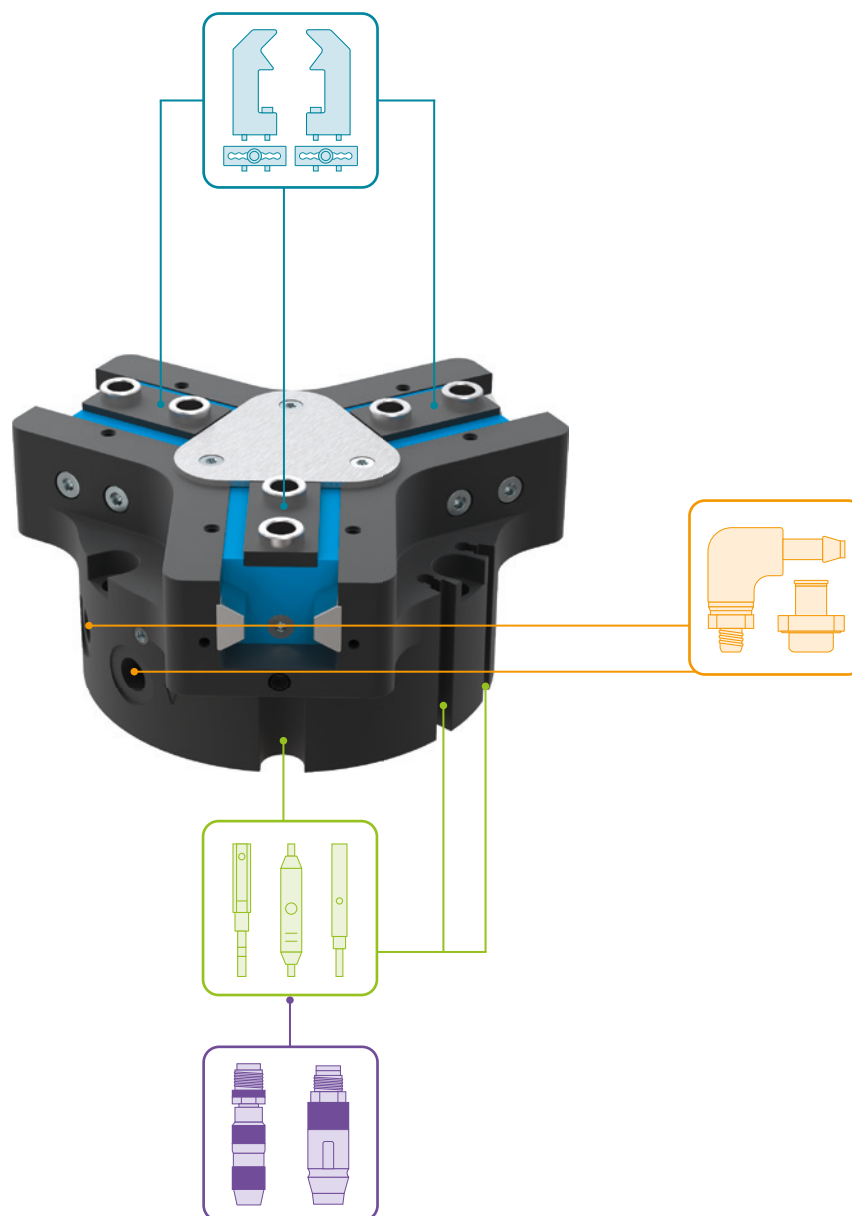
- | | |
|--|---|
| ① Gripper attachment | ③⑨ Gripper |
| ② Energy supply | ④④ Clamping sensor (not for variant AL-A) |
| ③ Fixing for gripper finger | ④⑤ Switch cam adjustment (not for variant AL-A) |
| ⑥ Integrated slot for magnetic field sensor | Ⓐ Air connection (close) |
| ⑦ Mounting block (not for variant AL-A) | Ⓑ Air connection (open) |
| ⑱ Air purge connection option (max. 0,5 bar) | Ⓐ Air connection, alternative (close) |
| ⑳ Attachment option for customer-specific fittings | Ⓑ Air connection, alternative (open) |
| ⑳ Adapter | |



3-JAW CONCENTRIC GRIPPERS

INSTALLATION SIZE GPD5006

▶ ACCESORIES



▶ INCLUDED IN DELIVERY



6 [piece]
Centering Disc

024230

▶ RECOMMENDED ACCESSORIES



GRIPPING COMPONENTS



UB5006AL
Universal jaw aluminium



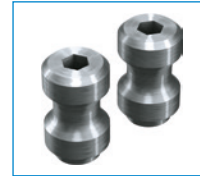
UB5006ST
Universal jaw steel



EB5006AL
Aluminum adjustment jaw



EB5006ST
Steel adjustment jaw



WB5006L
Changeable jaw, loose-part-set



WB5006F
Changeable jaw, fix-part



ADS5006-01
Pressure piece N / S



ADS5006-02
Pressure piece NC / NO / SC / SO



ENERGY SUPPLY



WVM5
Angled Fittings - Quick Connect Style



DSV1-8
Pressure safety valve



DSV1-8E
Pressure safety valve with quick exhaust



SENSORS



NJ4-E2SK-01
Inductive Proximity Switch
Cable 0,3 m - Connector M8

*Not for variant AL-A



MFS01-S-KHC-P1-PNP
Magnetic field sensor angled,
cable 0.3 m - M8 connector



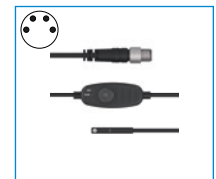
MFS02-S-KHC-P1-PNP
Magnetic field sensor straight,
cable 0.3 m - M8 connector



MFS01-S-KHC-P2-PNP
2-point sensor angled, ca-
ble 0.3 m - M8 connector



MFS02-S-KHC-P2-PNP
2-point sensor straight, ca-
ble 0.3 m - M8 connector



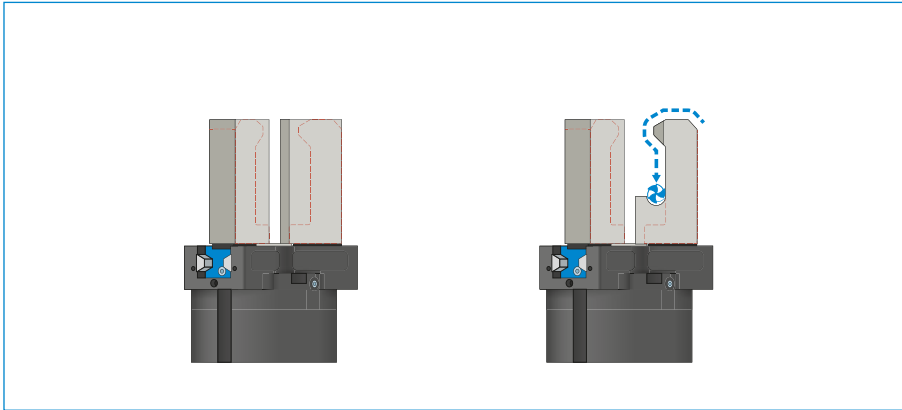
MFS02-S-KHC-IL
Position sensor straight,
cable 0.3 m - connector M8

3-JAW CONCENTRIC GRIPPERS

SERIES GPD5000 FUNCTIONAL DESCRIPTION



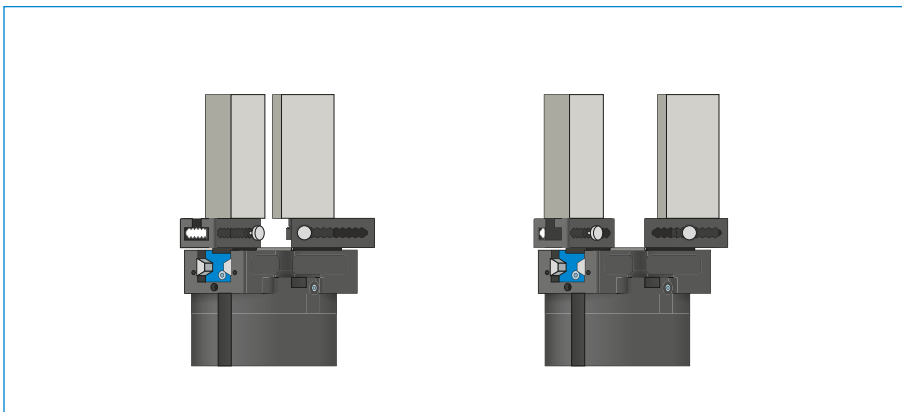
GRIPPING COMPONENTS



Universal jaws – UB5000

Can be used immediately or for individual reprocessing

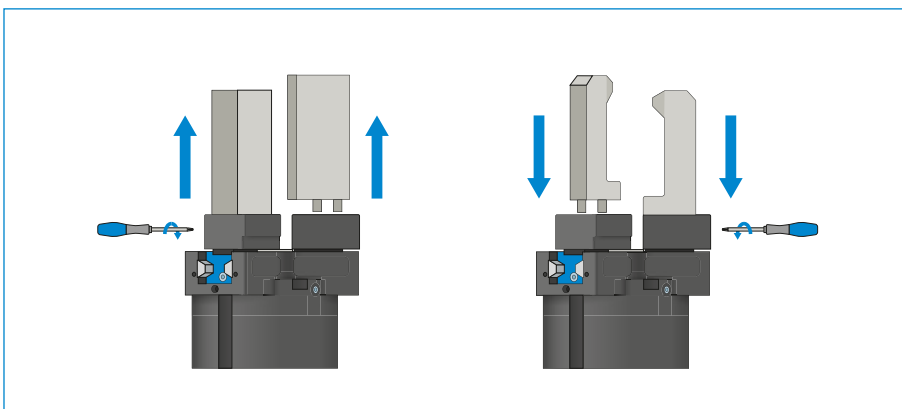
The gripper blanks are available in aluminum (AL) and steel (ST) versions and are installed directly on the gripper using the screws in the scope of delivery. The fits for the centering sleeves are already in place for this purpose. One universal jaw is required for each gripper jaw.



Adjustment jaws – EB5000

For tool-free adaptation of the gripper range

By manually activating the locking mechanism, which is pre-tensioned by a spring, the adjustment jaw can be moved within a grid of detent notches that has a number scale. Depending on the forces and torques that apply, the adjustment jaws are available in aluminum (AL) and steel (ST) versions. One adjustment jaw is required for each gripper jaw.



Interchangeable jaws – WB5000

Enable fast change of individual gripper fingers

For each gripper jaw, a fixed part and at least one loose part set is needed, depending on the number of gripper fingers to be changed. Manual locking via the Torx wrench included in the scope of delivery of the fixed part can take place from two sides.

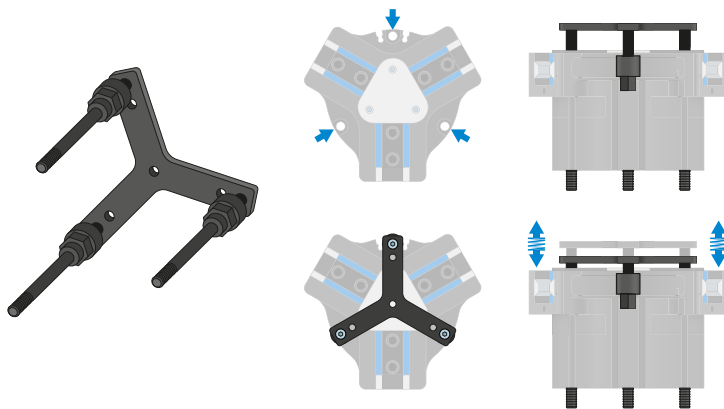


THE GRIPPING COMPONENTS CAN BE COMBINED!

The gripper components listed above can be combined with each other and are compatible with the various series of the 5000 gripper family.



GRIPPING COMPONENTS



Pressure piece – ADS5000

When the gripper fingers are open, the pressure piece is used for spring-supported positioning of the workpiece against a limit stop. This greatly reduces the loads on the gripper that arise during joining.



ENERGY SUPPLY



Pneumatic threaded connections

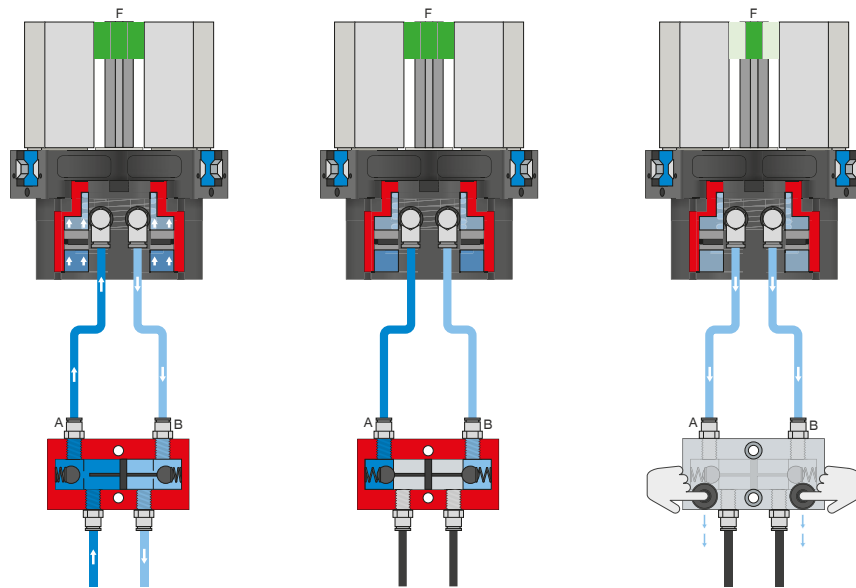
Available in straight and angled design. Can be chosen freely depending on the space conditions or installation situation.

3-JAW CONCENTRIC GRIPPERS

SERIES GPD5000 FUNCTIONAL DESCRIPTION



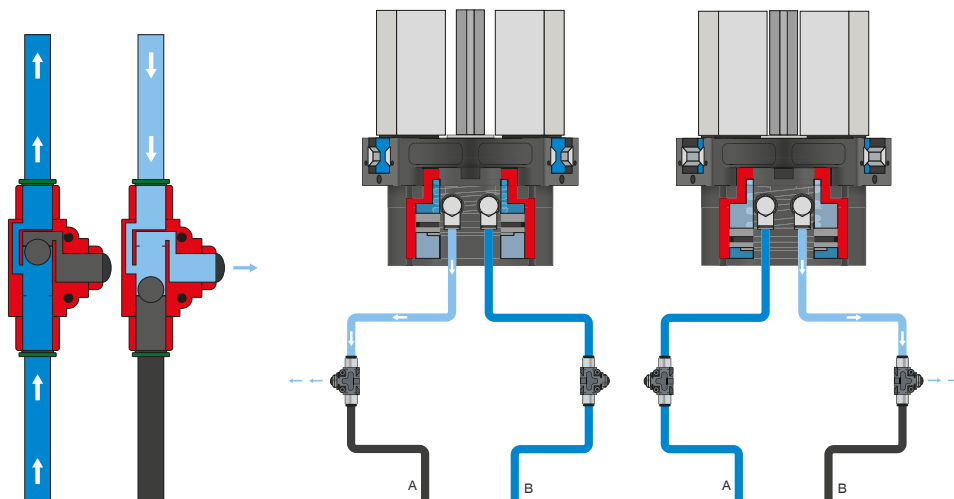
ENERGY SUPPLY



Pressure safety valve – DSV

Ensures safe retention of force and position if the system pressure drops

The integrated double check valve, which can be unlocked, retains the system pressure of the gripper in case of EMERGENCY STOP. To ensure the function, the valve must be installed as close to the gripper's air connection as possible. In variant E, two pushbuttons are installed that allow for controlled bleeding of the gripper.



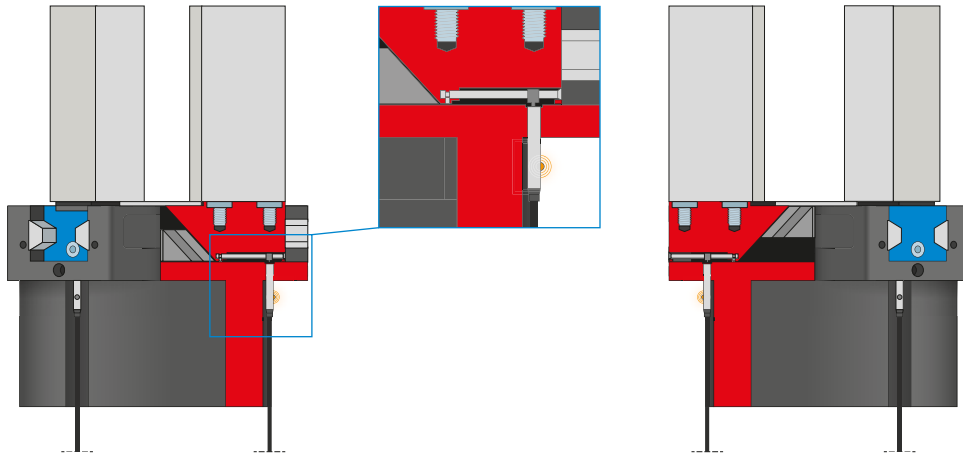
Quick exhaust valve – DEV

For rapid bleeding of the compressed air and preventing back pressure

The inline valves make a faster cycle time possible and prevent the formation of condensate in grippers with a small cylinder volume. To ensure the function, the valve must be installed as close to the gripper's air connection as possible.



SENSORS



Inductive sensors – NJ*

For direct position sensing of the gripper jaws

The sensor is guided into the intake as far as it will go and fixed in place using the lateral clamping screw. Tuning to the desired position then takes place by adjusting the cam switch. The sensors are available in versions with 5 m cables with exposed leads and 0,3 m cable with connector, as well as with direct plug orientation.

*Not for variant AL-A

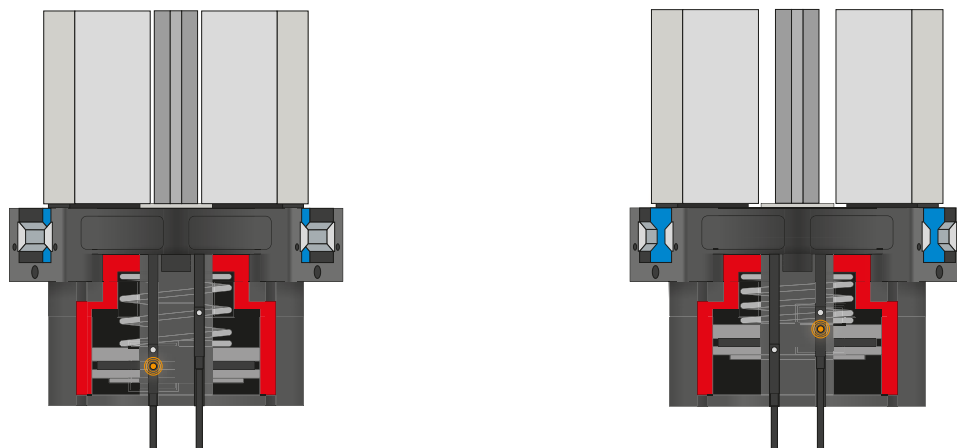
3-JAW CONCENTRIC GRIPPERS

SERIES GPD5000 FUNCTIONAL DESCRIPTION

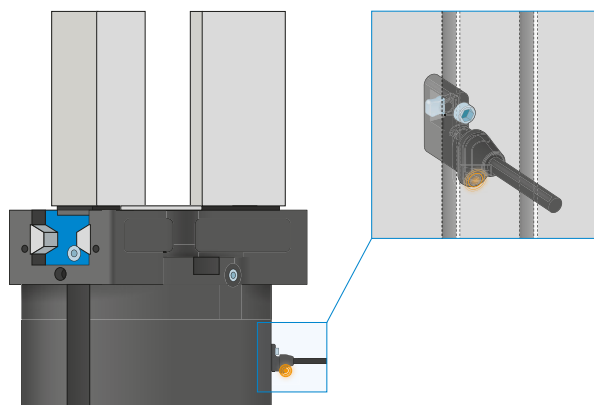


SENSORS

MFS02



MFS01



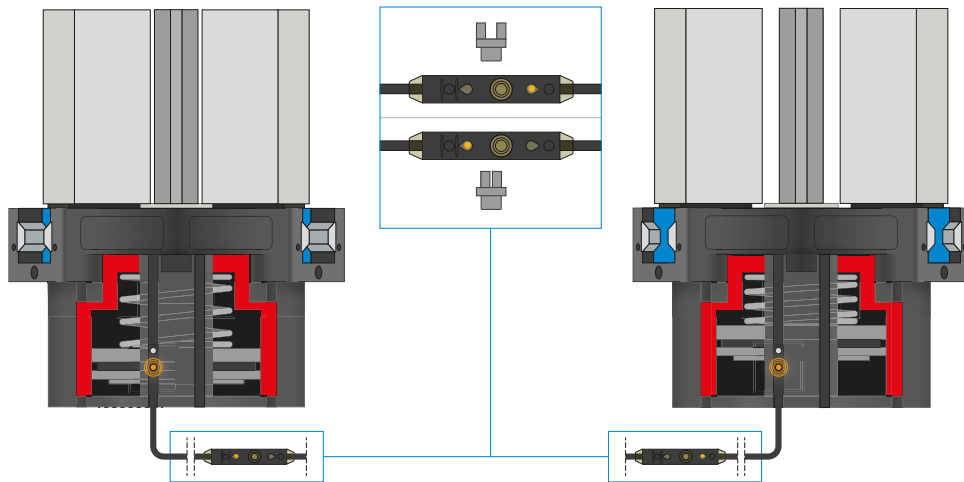
1-point magnetic field sensors – MFS

For non-contact sensing of the piston position

These sensors are installed in the C-groove of the gripper and detect the magnet attached to the piston of the gripper. To ensure use in a wide variety of space conditions, the sensors are available in two variants. While the horizontal MFS02, with straight cable outlet, disappears into the C-groove of the gripper almost completely, the vertical MFS01 is taller, but has a cable outlet that is offset at an angle of 90°. The variants are available in versions with 5 m cables with exposed leads and 0,3 m cable with connector.



SENSORS



2-point magnetic field sensors - MFS

With two freely programmable switching points

Using the programming unit integrated in the cable, two switch points can be freely defined for this sensor. To do so, the sensor is clamped in the C-groove, the gripper approaches position one and the position is taught in using the teach button. Afterwards, the second position is approached with the gripper and programmed. To ensure use in a wide variety of space conditions, the sensors are available in two variants. While the horizontal MFS02, with straight cable outlet, disappears into the C-groove of the gripper almost completely, the vertical MFS01 is taller, but has a cable outlet that is offset at an angle of 90°. The sensors are available in versions with 5 m cables with exposed leads and 0,3 m cable with connector.



CONNECTIONS / OTHER



Plug-in connectors

For extending and fabricating the connection lines for the sensors

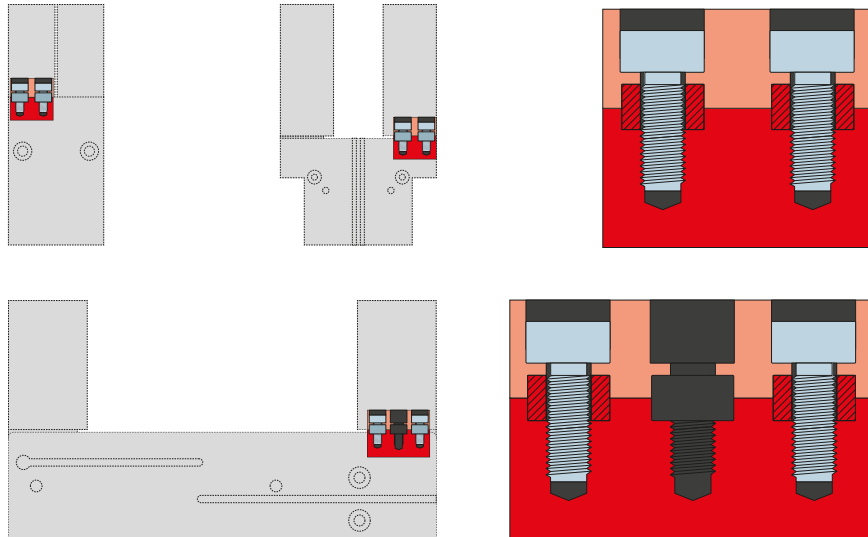
Cables with a length of 5 m with exposed leads are available. Depending on the specific needs, the cables can be shortened or fabricated with connectors in sizes M8 and M12.

3-JAW CONCENTRIC GRIPPERS

SERIES GPD5000 FUNCTIONAL DESCRIPTION



CONNECTIONS / OTHER



Centering sleeves

For defined position measurement of the gripper fingers

The centering sleeves are inserted into the fits of the gripper jaws to define the position of the gripper fingers. The centering sleeves are comparable to a pin connection.